

# AURA chair family



## QUALITY STANDARD

- LST EN 1335-1:2000
- LST EN 1335-1:2000 including correction
- LST EN 1335-1:2000/AC:2003
- LST EN 1335-2:2009
- LST EN 1335-3:2009 including correction
- LST EN 1335-3:2009/AC:2009

## TECHNICAL INFORMATION

### Types

- Executive, task and visitor & conference chairs.

### Seat

- Depth adjustable (50 mm run range);
- Lower part (inner and outer) made of PP (polypropylene);
- Foam made of polyurethane;
- CFC free (NO chlorofluorocarbon).

### Back

- Height adjustable (60 mm run range), 6 locking positions;
- Frame (outer and inner) made of PP (polypropylene);
- Foam made of polyurethane;
- CFC free (NO chlorofluorocarbon);
- Clips fixing system.

### Armrests

- Fixed black plastic armrests;
- 2D (two directions) height adjustable armrests. Upper part coated with a PU (polyurethane) pad, soft touch, the lower part is made of black plastic. The top of armrests moving forward or backward;
- 2D (two directions) height adjustable armrests. Upper part coated with a PU (polyurethane) pad, soft touch, the lower part is made of polished aluminium. The top of armrests moving forward or backward;
- 3D (three directions) adjustable black plastic armrests.
- 3D (three directions) adjustable black plastic armrests with polished aluminum lower part.

### Mechanism

- Synchronized movement of seat and back;
- 5 locking positions of the backrest;
- Tension adjustment with handwheel (task and executive chairs).

### Gas lift

- Chromed or black colour;
- 120 mm run range.

### Bases

- Five-star polished aluminium or black PA (polyamide) with fiberglass base. External Ø700 mm;
- Four-legged reinforced steel chromed frame, Ø25 mm;
- Four legged with 4 wheels reinforced steel chromed frame, Ø25 mm;
- Reinforced steel chromed cantilever frame, Ø25 mm;
- 4-star steel chromed frame with glides.

### Castors

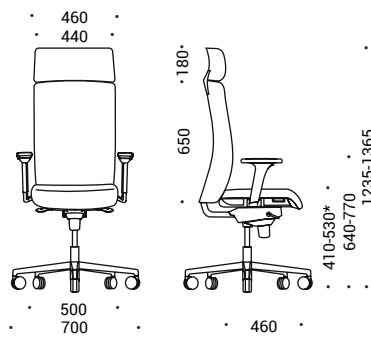
- Rubber free wheel castors for hard floor, Ø65 mm;
- PA (polyamide) free wheel castors for soft floor, Ø65 mm.

### Headrest

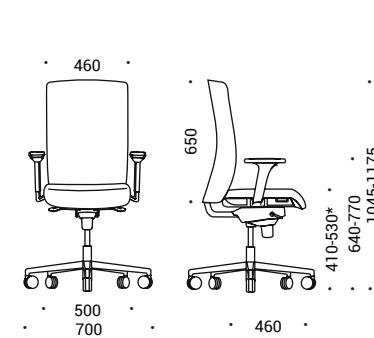
- Fixed, made of polyurethane and upholstered.

## RANGE

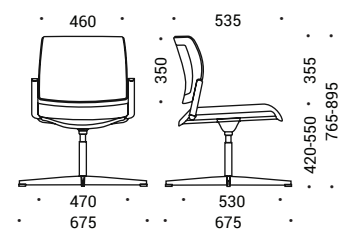
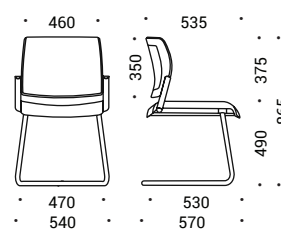
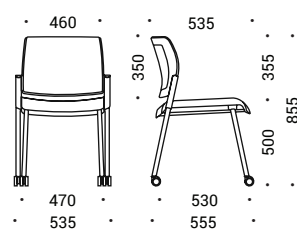
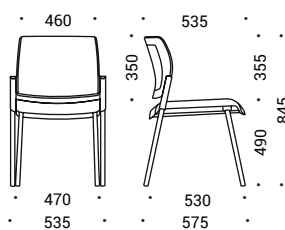
#### Executive



#### Task



#### Visitor & conference



\*Height approved during certification.

### Optional



Fixed armrests



2D armrests, lower part – plastic



2D armrests, lower part – aluminium



3D armrests, lower part – plastic



3D armrests, lower part – aluminium