

POLYTONE-0

visitor, conference & dining chairs

Design by Orlandini Design | Italy



FEATURES

- Stackable
- Suitable for indoor-outdoor use
- Made from high quality plastic or recycled plastic
- Available with or without armrests

QUALITY STANDARD

- LST EN 16139:2013

TECHNICAL INFORMATION

Types

- Visitor, conference & dining chairs

Seat and back

- Seat and back made from high quality PP (polypropylene) plastic or recycled plastic;
- Chair possible with or without armrests in one colour, made from high quality PP (polypropylene) plastic or recycled plastic.

Bases

- 4 leg base, made out of high quality PP (polypropylene) plastic.

Glides

- Transparent soft plastic glides.

Accessories

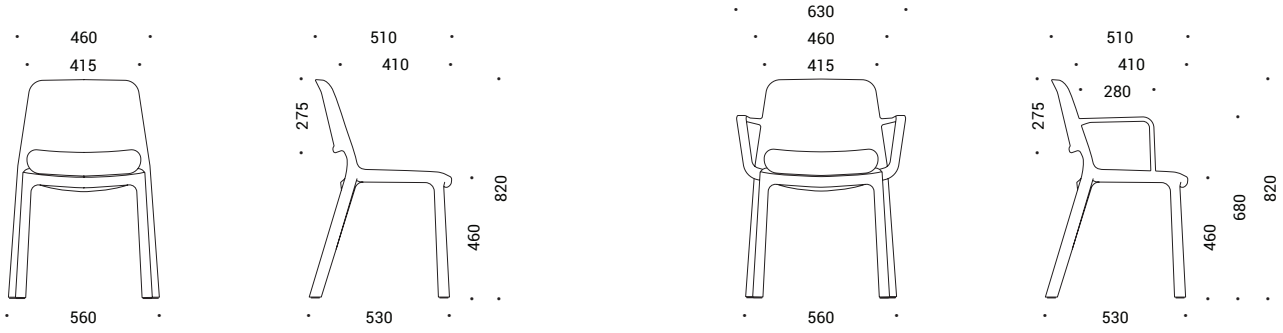
- Trolley for transporting chairs.

Stacking / Stacking with trolley

- Chairs without armrests can be stacked up to 10 pcs.;
- Chairs with armrests – up to 5 pcs.

RANGE

Visitor, conference & dining chairs



Trolley

