

WIND high swivel chair family

Design by Baldanzi & Novelli designers | Italy



TECHNICAL INFORMATION

Type

- High swivel chairs

Seat

- Fixed;
- Lower part (inner and outer) made of PP (polypropylene);
- Foam made of polyurethane;
- Fabric or leather look upholstered

Backrest

- Frame made of black or white plastic;
- Mesh, fabric or leather look upholstered;
- Inner foam made of polyurethane (fabric upholstery).

Lumbar support

- Height adjustable (80 mm run range);
- Made of transparent silicon.

Armrests

- Chromed or powder coated frame covered with black or white PP (polypropylene) plastic;
- Fixed black plastic armrests;
- 2D (two directions) adjustable black plastic armrests;
- 2D (two directions) adjustable black plastic or white plastic armrests with polished aluminium lower part;
- 2D height adjustable (80 mm run range), pad moves forward and backward (55 mm range);
- 3D (three directions) adjustable black plastic armrests;
- 3D (three directions) adjustable black plastic or white plastic armrests with polished aluminium lower part;
- 3D armrests height adjustable (80 mm run range), width adjustable (37 mm run range), pad moves forward and backward (55 mm range);
- All armrests upper part coated with PU (polyurethane) pads, soft touch.

Mechanism

- Height adjustment by side lever.

Gas lift

- Chromed or black colour;
- 245 mm run range.

Foot ring

- Fixed with gas lift;
- Easy height adjustable;
- Black plastic body with chrome-finished ring, Ø460 mm.

Bases

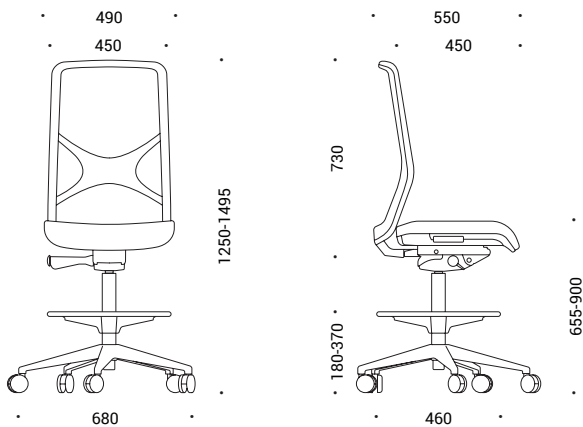
- Five-star polished aluminium base;
- Five-star black or white fiberglass reinforced plastic base;
- External Ø680 mm.

Castors

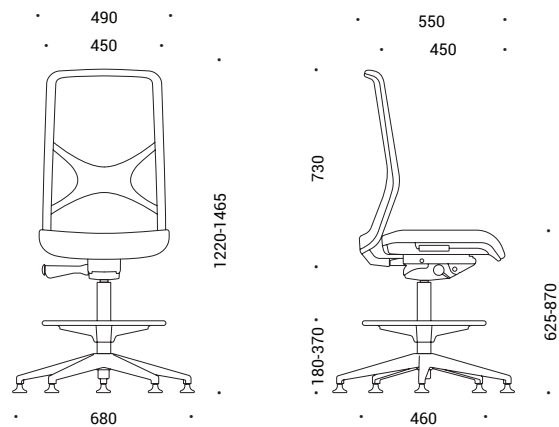
- Rubber free wheel castors with sit stop brake for hard floor, Ø65 mm;
- PA (polyamide) free wheel castors with sit stop brake for soft floor, Ø65 mm;
- PP (polypropylene) fixed glides, Ø50 mm, for soft floors.

RANGE

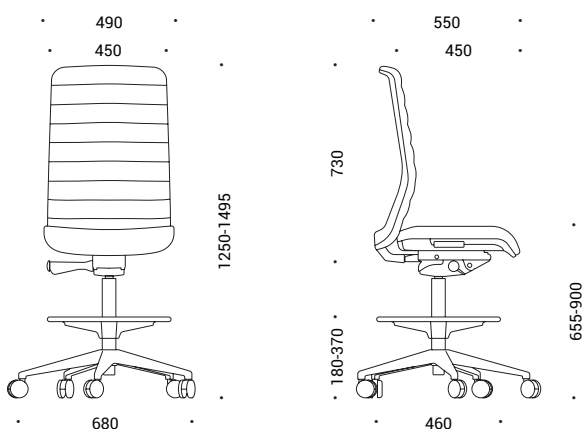
WIND high swivel chair with mesh and castors



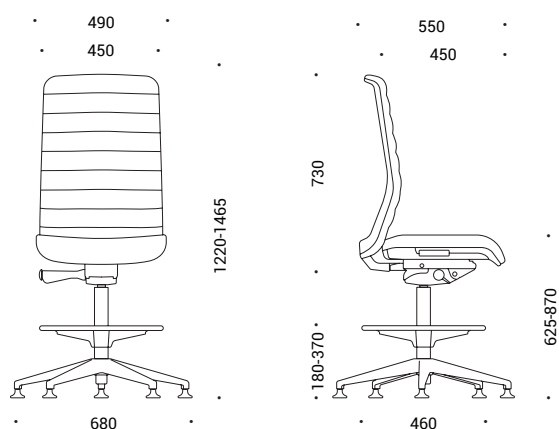
WIND high swivel chair with mesh and glides



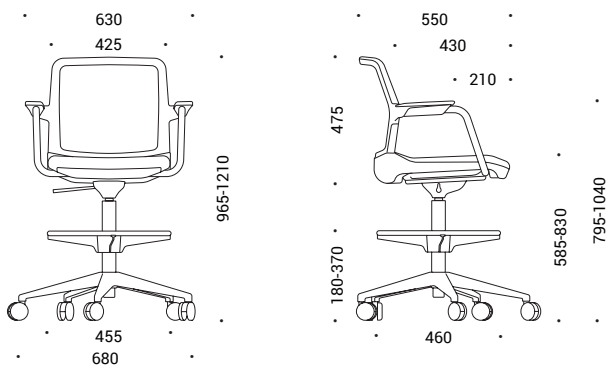
WIND high swivel chair with fabric and castors



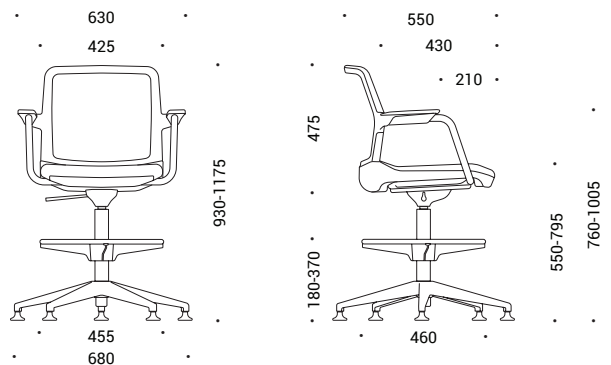
WIND high swivel chair with fabric and glides



WIND high swivel chair with low backrest and castors



WIND high swivel chair with low backrest and glides



Optional (for high backrest chairs)



Fixed armrests



2D (two directions)
adjustable armrests



3D (three directions)
adjustable armrests